



SCHLAGE LiNK™

FE599 Lever Lock Installation Instructions



Important Information

Lock Programming Code



six (6) digits

User Code A



four (4) digits

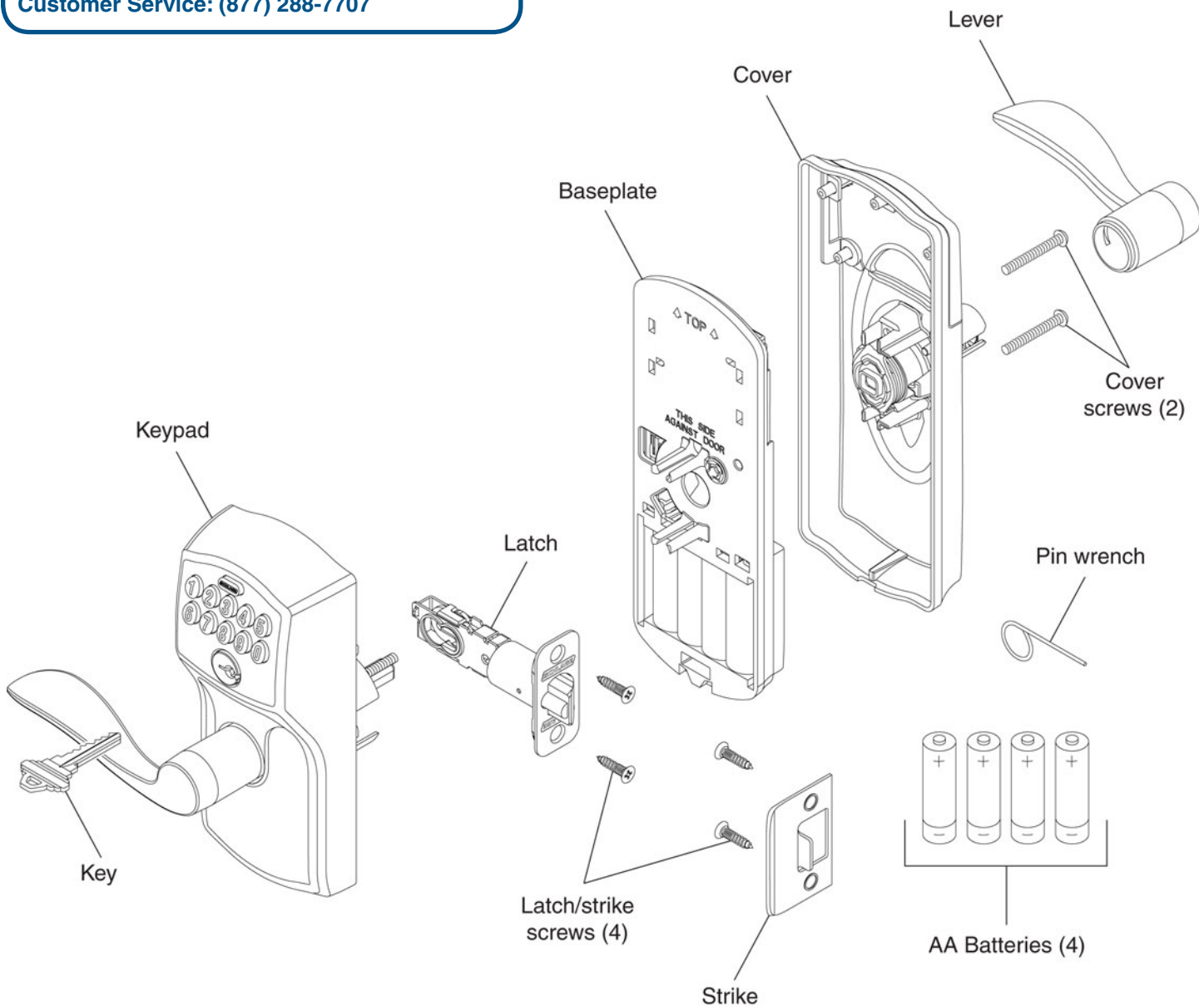
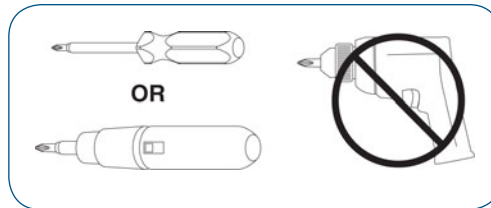
User Code B



four (4) digits

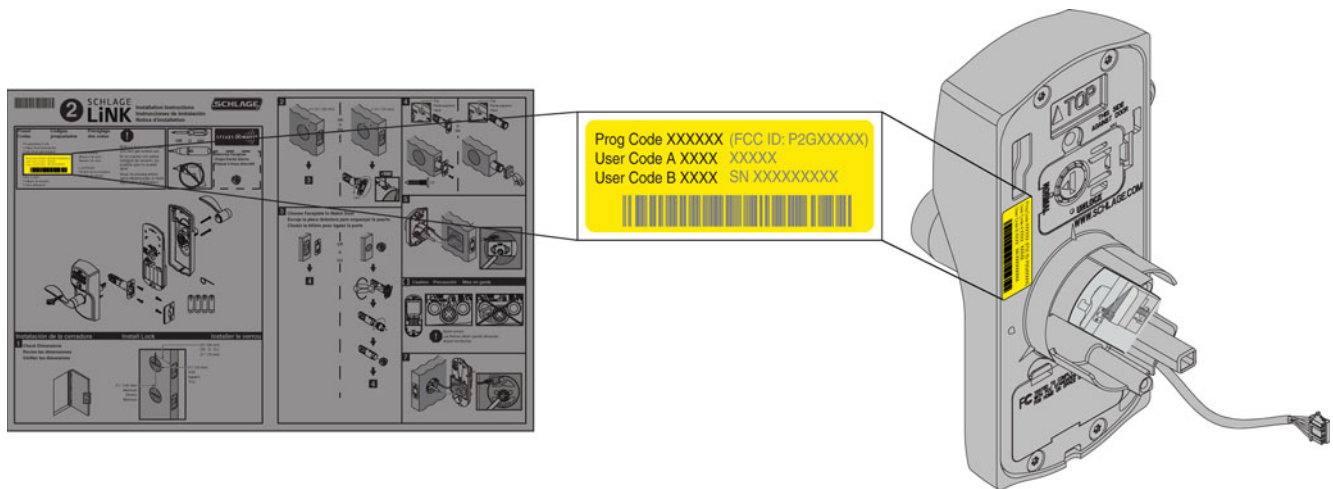
Web Support: www.part2.schlage.com

Customer Service: (877) 288-7707



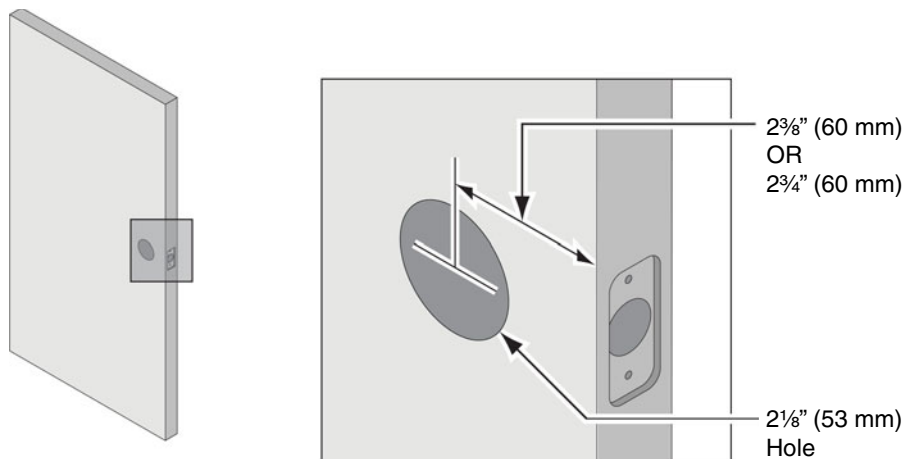
1 Locate Programming Code and Preset User Codes

The programming code and the preset user codes are printed on the yellow stickers located on the back of the keypad and on the installation sheet that came in the box. Write these codes in the space provided on the first page.

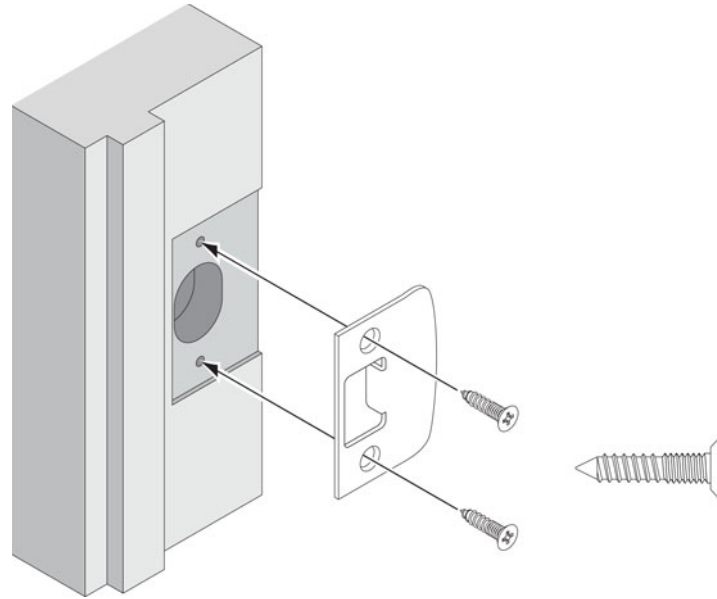


2 Check Door Dimensions

If your door does not match the dimensions shown, go to www.part2.schlage.com for instructions on how to prepare your door.

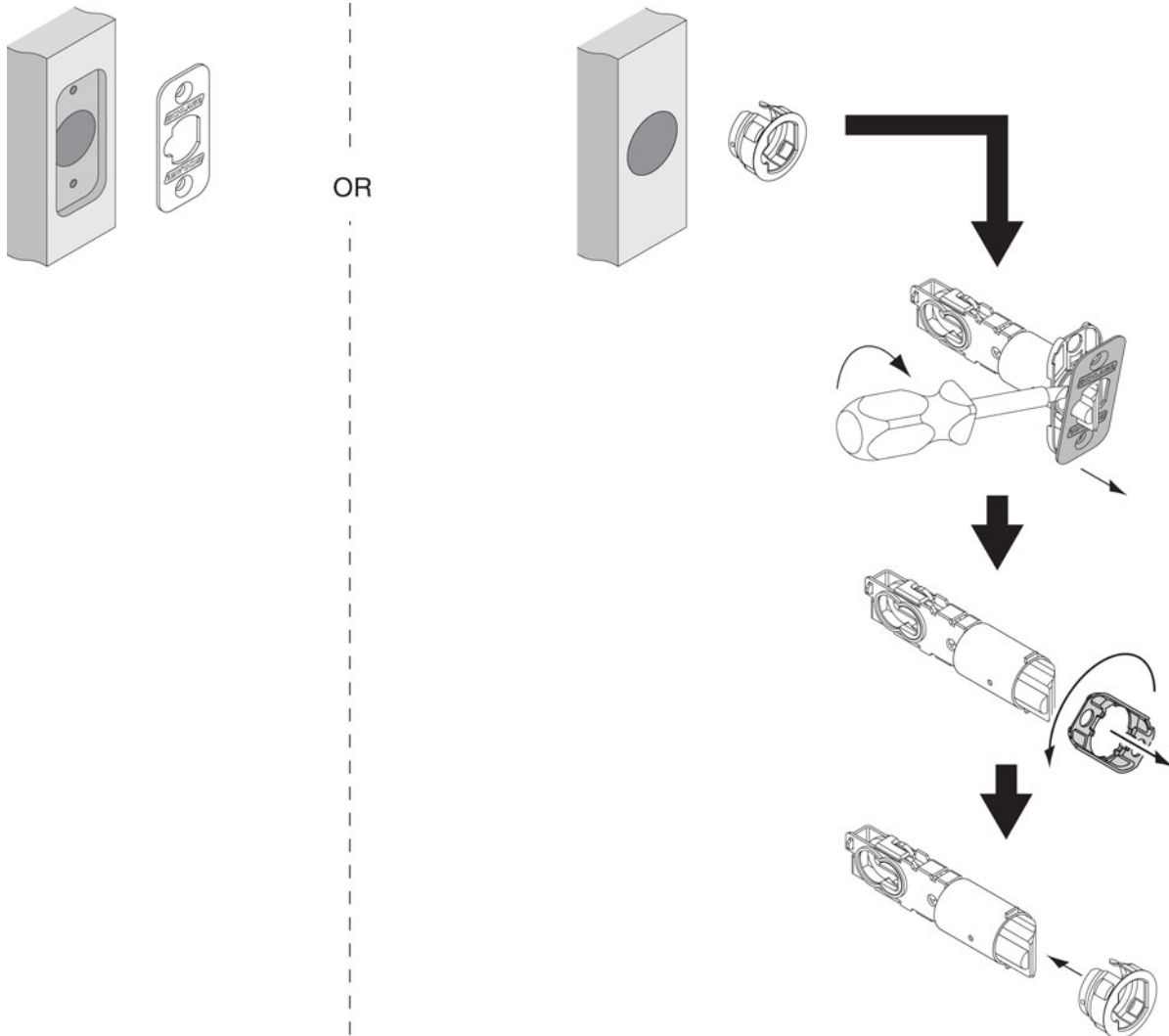


3 Install Strike Into Frame



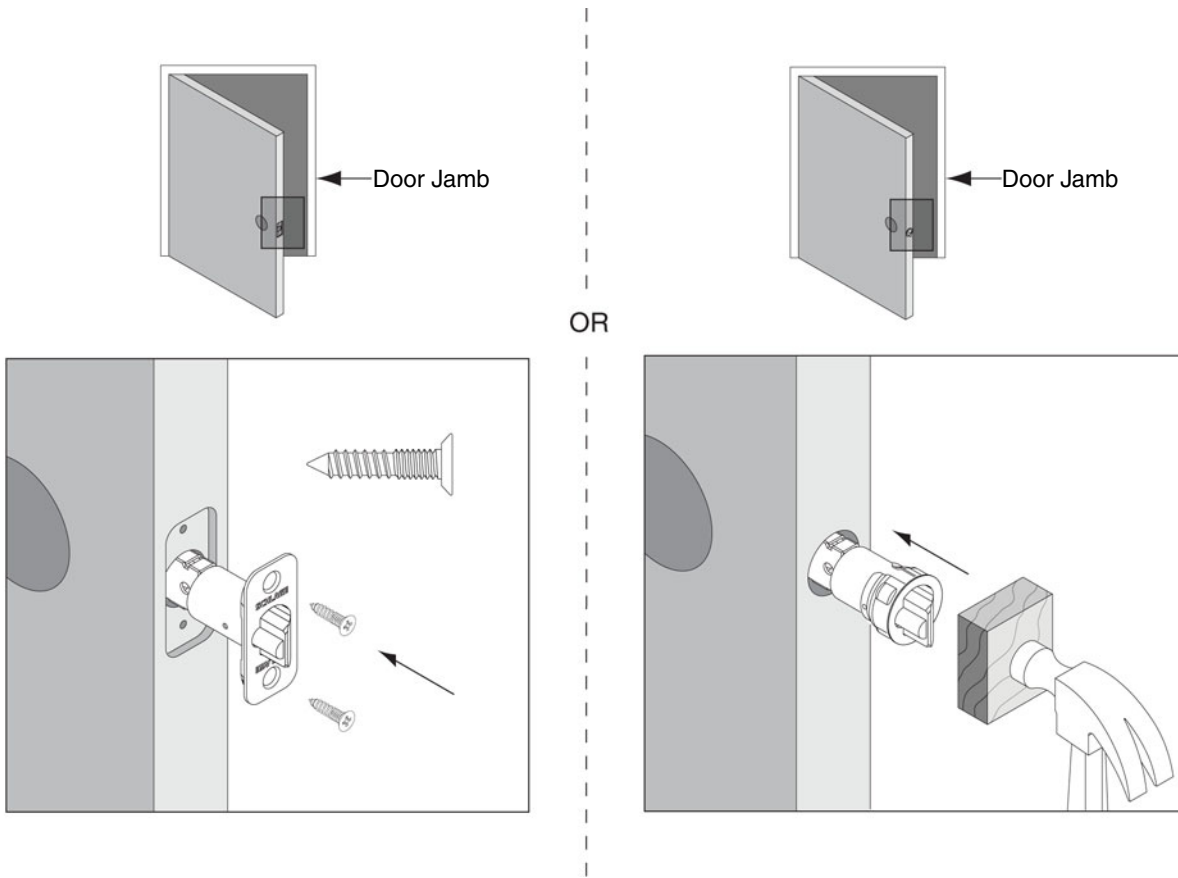
4 If Necessary, Change Latch Faceplate

Check edge of door to determine the type of faceplate required.

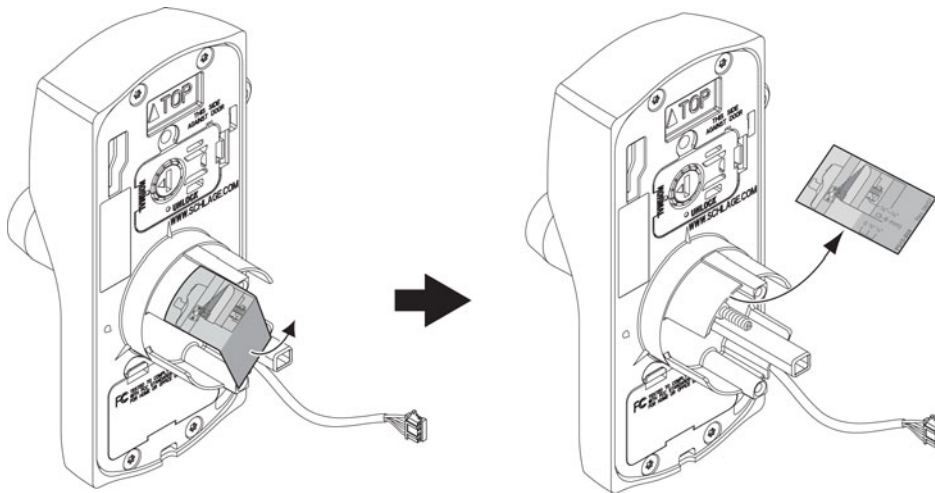


5 Install Latch

Latch must be flipped so that bevel faces toward door jamb.

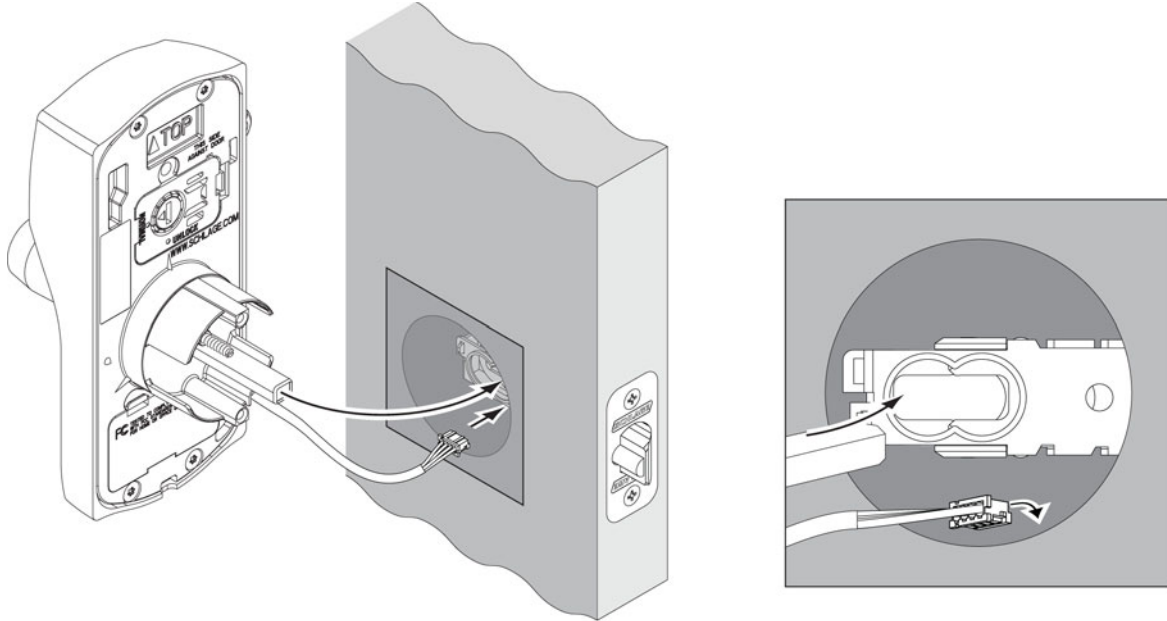


6 Remove Sticker from back of Lock



7 Install the Keypad

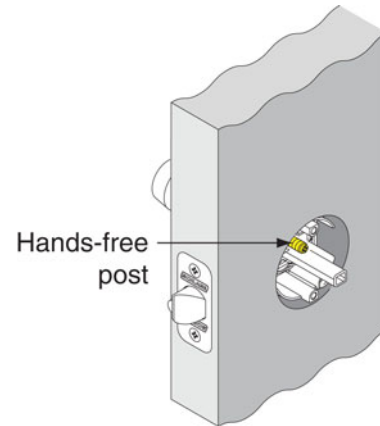
Feed the cable under latch assembly as shown below. Then slide the tailpiece through the hole as shown below.



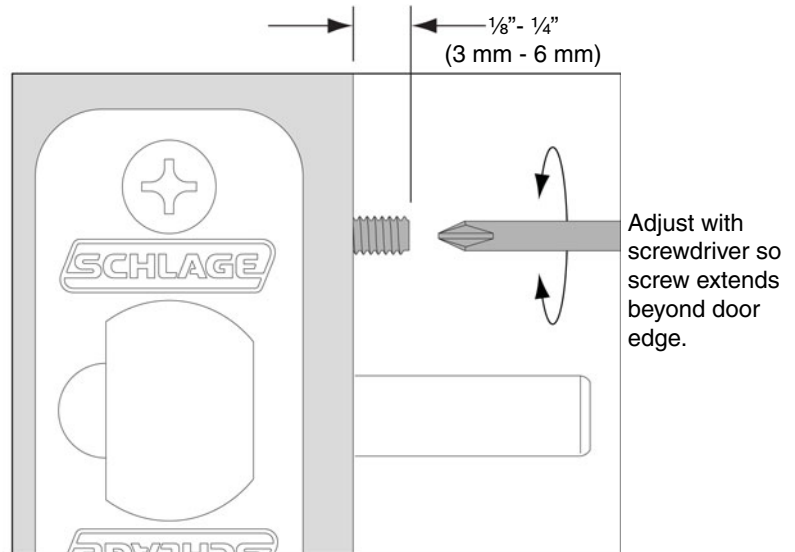
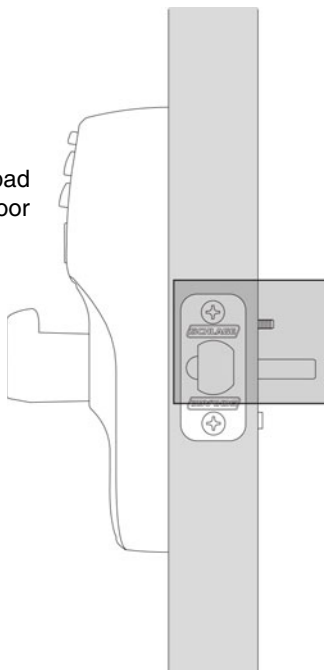
8 Adjust Hands-free Post

The hands-free post is the threaded stud on back of lock. It's purpose (in step 10) is to attach the lock and baseplate together so that the lock will hold itself on the door.

Hands free post may need to be adjusted with a screwdriver to the dimensions shown below.

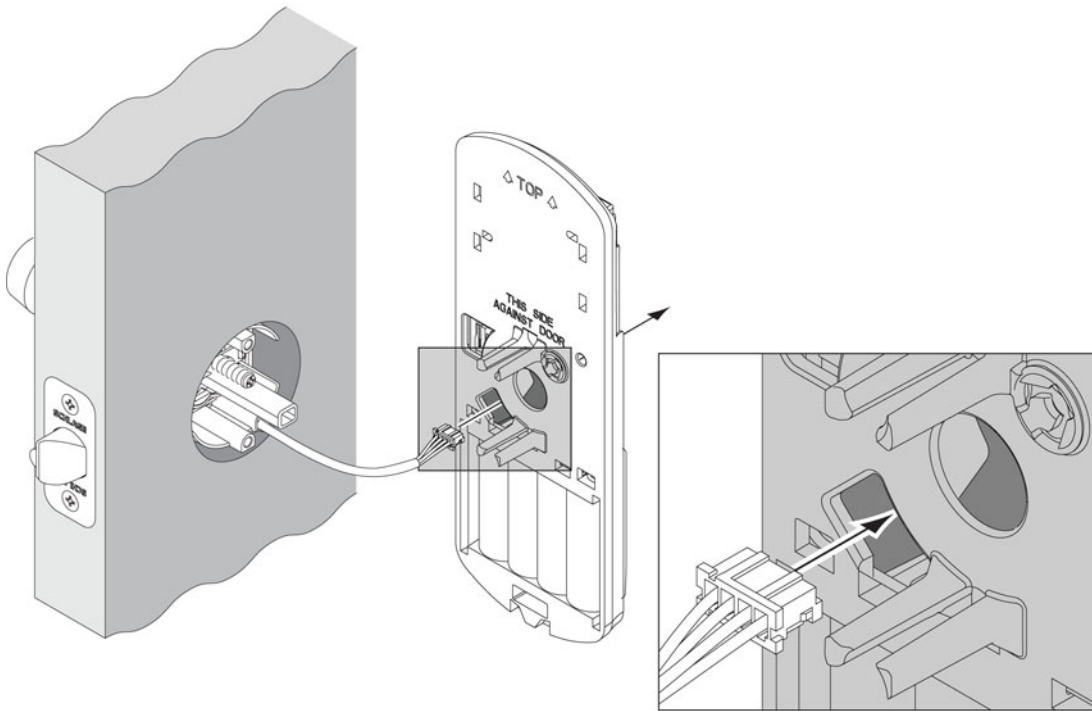


Hold keypad against door



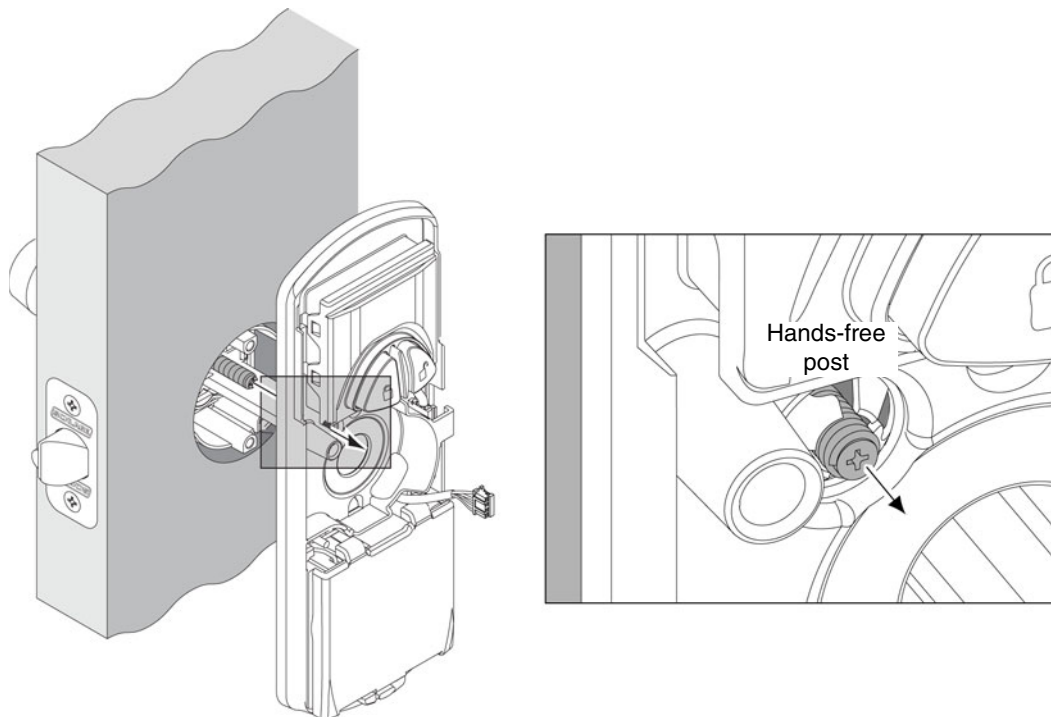
9 Feed Cable through Baseplate

Feed the cable through the hole as shown below. **DO NOT** connect the cable at this point.



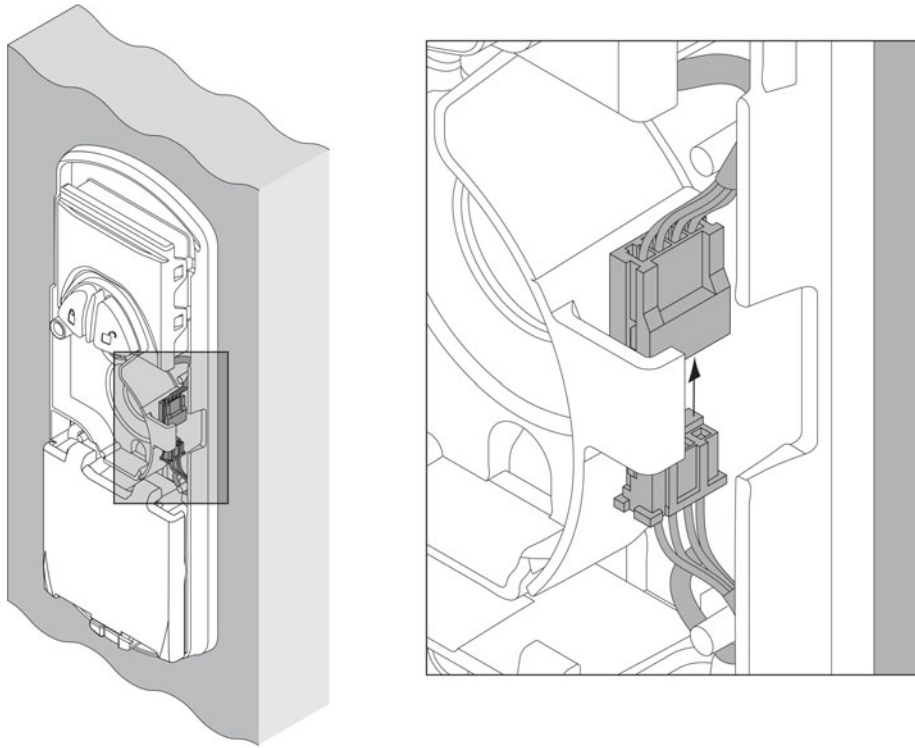
10 Slide Baseplate onto Door over Hands-free post

Hands-free post should lock plate against door surface. If hands-free post does not lock plate onto door, see step 8 for adjustment.

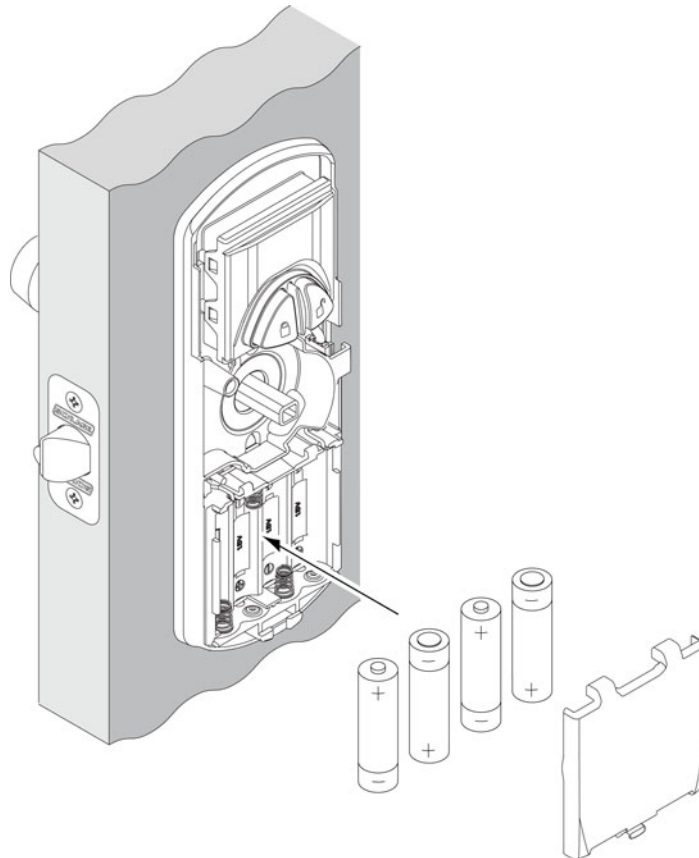


11 Connect the Cable

Snap the connectors together.

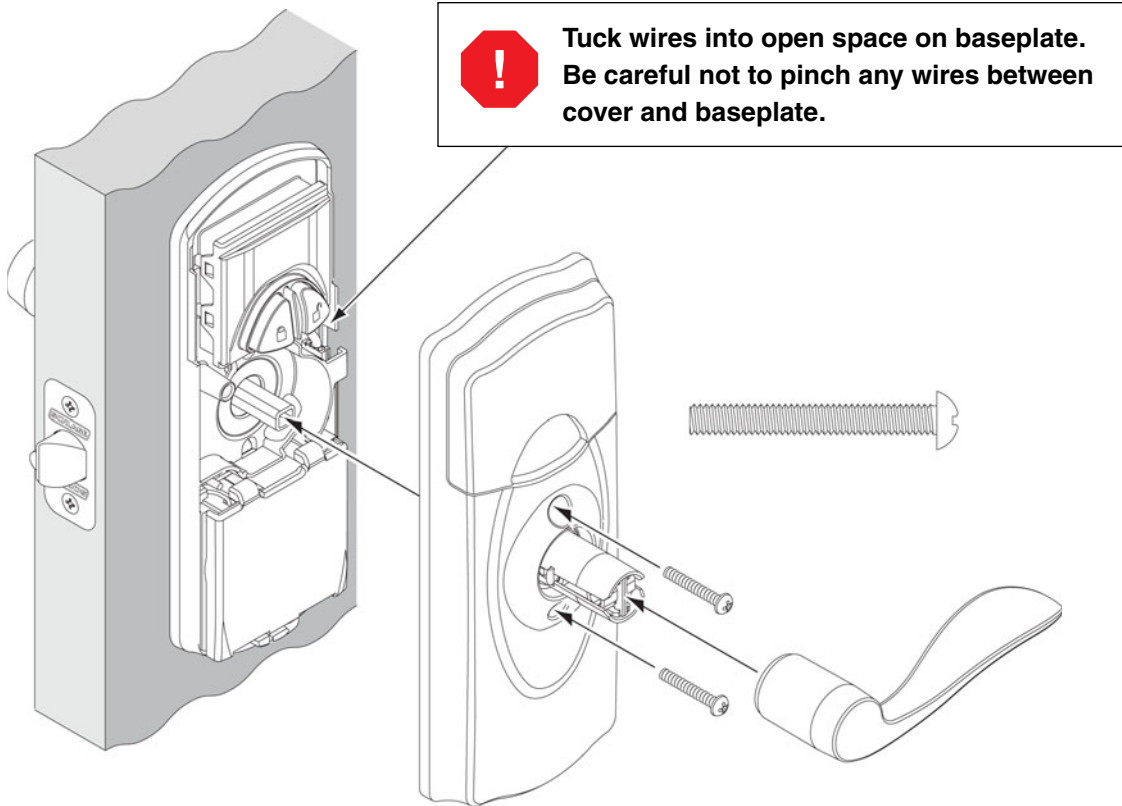


12 Install Batteries and Battery Cover



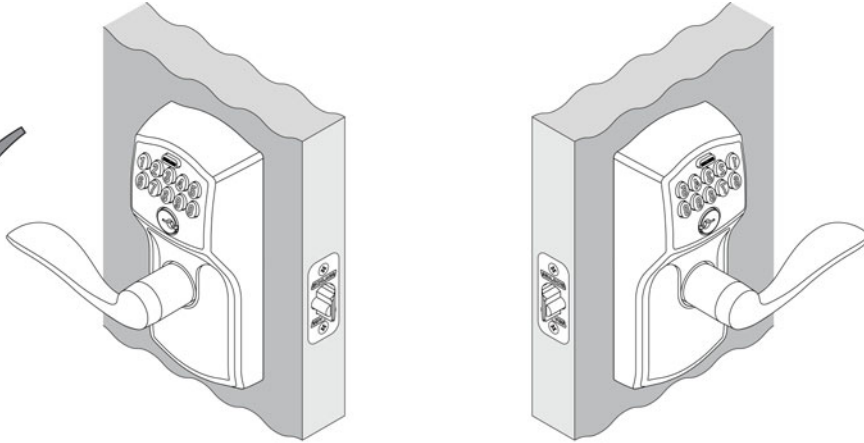
13 Install Cover and Lever

See step 14 on the next page to verify that the lever is handed correctly to match your door. If the lever does not snap into place easily, you may have to tap the lever with a hammer using a piece of wood to cushion it. Be careful not to damage the finish of the lever.

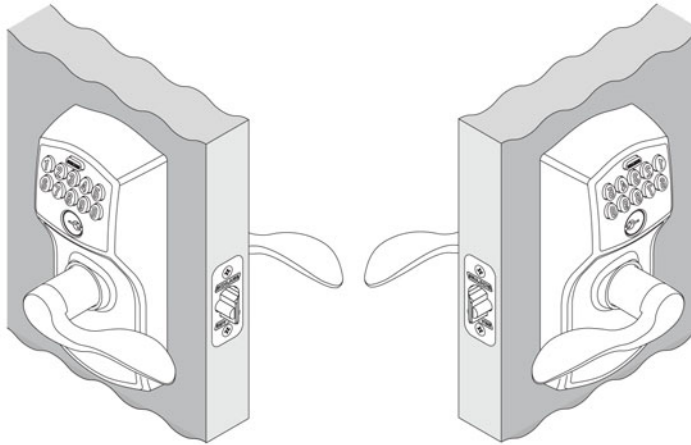


14 Check Handing of Lever

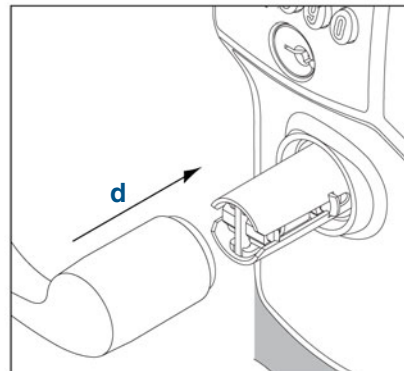
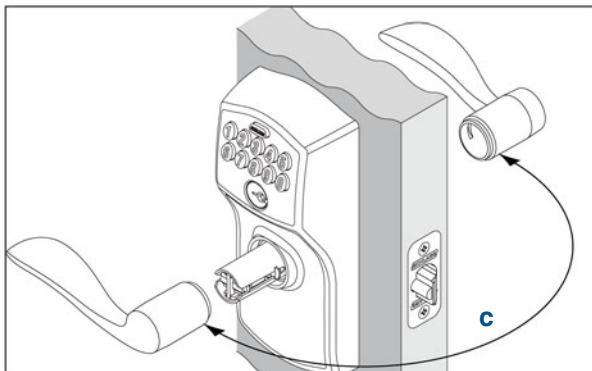
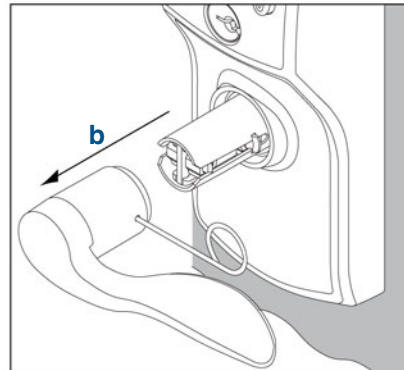
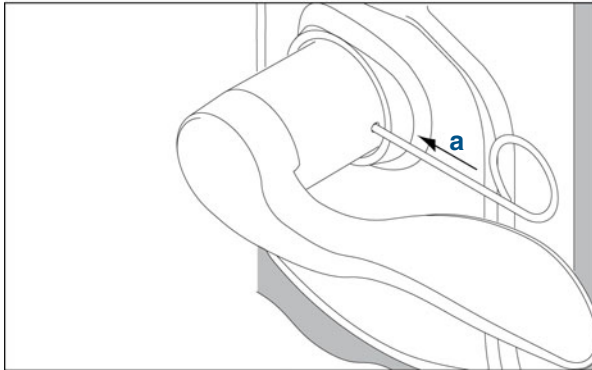
✓
Correct
Go to step 15




✗
Incorrect
See steps below to
change lever handing



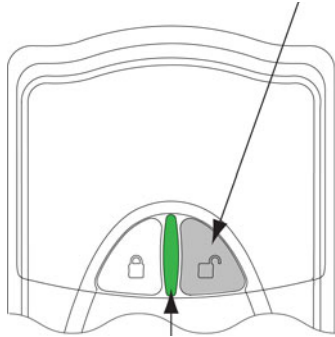
To Change Lever Handing



15 Test Locking and Unlocking from the Interior

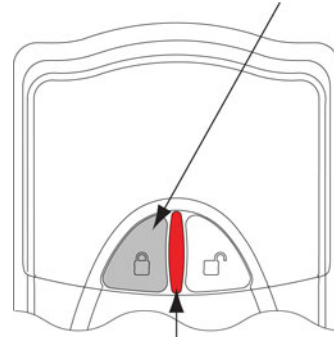
 Test with door open to avoid possibly being locked out!

To Unlock, Press Button



Green light
(indicates unlocked)


To Lock, Press Button

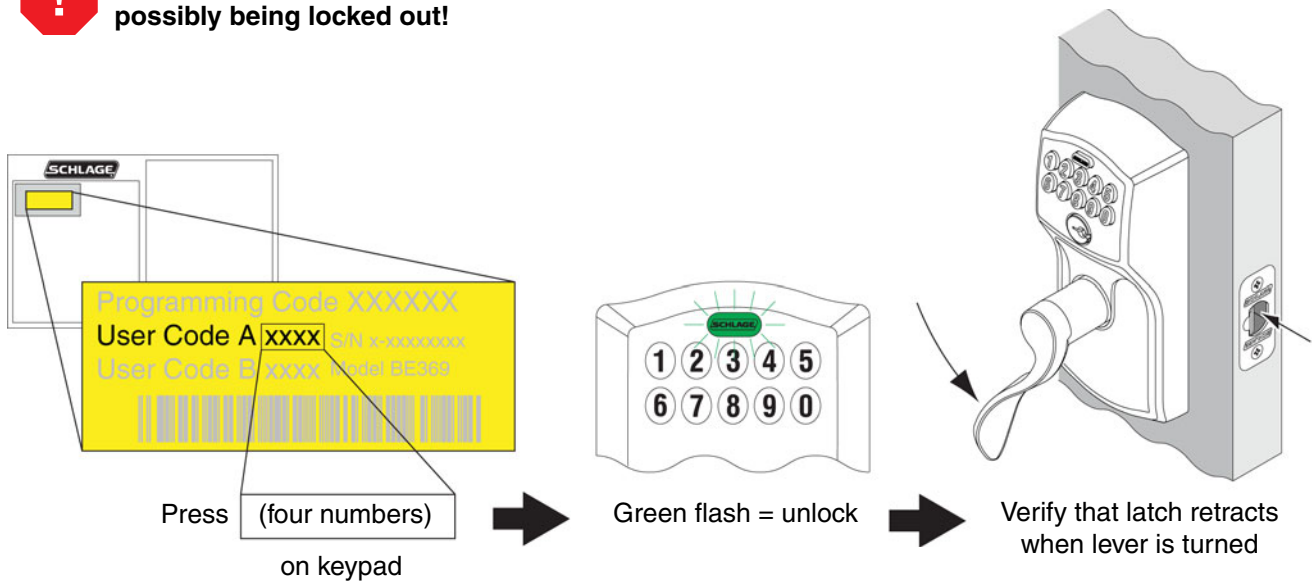


Red light
(indicates locked)

16 Test Outside Entry (When Door is Locked)

When you press your User Code (four numbers) on the keypad, the door will unlock for 5 seconds, allowing entry.

 Test with door open to avoid possibly being locked out!



FCC Notice

This device complies with part 15 of the FCC rules. Operation is subject to the following two conditions: (1) This device may not cause harmful interference, and (2) this device must accept any interference received, including interference that may cause undesired operation.

Changes or modifications to this equipment not expressly approved by Schlage could void the user's authority to operate the equipment.

FCC ID: P2GFE599

IC: 7954A-FE599

PATENT NOTICE

Schlage® products and those of its subsidiary companies and licensees may be covered by both issued and pending U.S. and foreign patents, copyrights and trademarks. Manufactured items are covered by one or more of the following patents:

5070715	5765412	6523375	D372417	D458829
5152558	5769472	6533336	D372854	D467155
5308131	5809816	6540274	D406056	D472788
5395144	5816086	6581426	D406528	D487388
5593193	5820290	6802546	D426452	D520331
5598726	5881590	6905773	D428324	D520332
5640863	5918916	6926319	D450558	D537702
5683127	6286347	7143477	D457048	D541620
5715717	6297725	7159424	D457049	D543435

LOCK PRODUCT: Lifetime Limited Mechanical and Finish Warranty and 1-Year Limited Electronics Warranty

Subject to the terms and conditions of this warranty, Schlage extends a lifetime limited mechanical and finish warranty and a one-year limited electronics warranty to the original consumer user ("Original User") of our Schlage brand lock product ("Lock Product") against defects in material and workmanship, as long as the Original User occupies the residential premises upon which the Lock Product was originally installed.

NON-LOCK PRODUCT: 1-Year Limited Mechanical and Electronics Warranty

Subject to the terms and conditions of this warranty, Schlage extends a 1-year limited mechanical and electronics warranty to the original consumer user ("Original User") of our Schlage brand non-lock product used in conjunction with our Lock Product ("Non-Lock Product") against defects in material and workmanship, as long as the Original User occupies the residential premises upon which the Lock Product was originally installed.

"Lock Product" and "Non-Lock Product" are collectively referred to herein as "Product".

What Schlage will do: Upon return of the defective Product to Schlage, Schlage's sole obligation, at its option, is to either repair or replace the Product, or refund the original purchase price in exchange for the Product.

Original User: This warranty only applies to the Original User of Products. This warranty is not transferable.

What is not covered: The following costs, expenses and damages are not covered by the provisions of this limited warranty: (i) labor costs including, but not limited to, such costs as the removal and reinstallation of Product; (ii) shipping and freight expenses required to return Product to Schlage; (iii) failures, defects, or damage (including, but not limited to, any security failure or loss of data) caused by any third party product, service, or system connected or used in conjunction with the Product; and (iv) any other incidental, consequential, indirect, special and/or punitive damages, whether based on contract, warranty, tort (including, but not limited to, strict liability or negligence), patent infringement, or otherwise, even if advised of the possibility of such damages.

The provisions of this warranty do not apply to Product: (i) used in commercial applications; (ii) used in common area applications; (iii) used for purposes for which they are not designed or intended; (iv) which have been subjected to alteration, abuse, misuse, negligence or accident; (v) which have been improperly stored, installed, maintained or operated; (vi) which have been used in violation of written instructions provided by Schlage; (vii) which have been subjected to improper temperature, humidity or other environmental conditions; or (viii) which, based on Schlage's examination, do not disclose to Schlage's satisfaction non-conformance to the warranty. Additionally, this warranty DOES NOT

COVER scratches, abrasions, or deterioration due to the use of paints, solvents or other chemicals.

Exclusions: Oil Rubbed Bronze finish (613) is designed to improve over time and change in appearance, creating a living finish through daily use and thus, finish discoloration is not applicable to the above warranty.

Additional terms: Schlage does not authorize any person to create for it any obligation or liability in connection with the Product. Schlage's maximum liability hereunder is limited to the original purchase price of the Product. No action arising out of any claimed breach of this warranty by Schlage may be brought by the Original User more than one (1) year after the cause of action has arisen.

How local law applies: This warranty gives you specific legal rights, and you may also have other rights as otherwise permitted by law. If this Product is considered a consumer product, please be advised that some local laws do not allow limitations on incidental or consequential damages or how long an implied warranty lasts, so that the above limitations may not fully apply. Refer to your local laws for your specific rights under this warranty.

Guaranteed Fit Program: Schlage products are designed to fit standard residential door preparations and retrofit existing tubular locks. Note: Mortise locks and preparations are not considered standard and are not guaranteed under this program. During the initial installation, if there is a problem with the Product's performance, the Original User may simply contact Schlage Customer Service at (877) 288-7707 in the U.S. and Canada for assistance.

Program and warranty claims: If you encounter a residential door preparation or fit issue under the Guaranteed Fit Program or have a claim under this warranty, please contact Schlage Customer Service for repair, replacement or refund of the original purchase price in exchange for the return of the Product to Schlage.

